



HCTB/HCTT

5113407000 - HCTT/4-630-B (400V50HZ) VE - ROOF MOUNTED FANS



Extract axial roof fan with aluminium hub and plastic blades. Cowl from aluminium and base from galvanised sheet steel. Three phase, IP65 motor. Brand S&P model HCTT/4-630-B (400V50HZ) VE.

Theoretical Working Point

Airflow	-
Static Pressure	0,000 Pa
Temperature	20 °C
Altitude	0 m
Density	1,2 kg/m ³
Frequency	50 Hz

Construction

Discharge diameter	630 mm
Fan size	630
Blades	7
Weight	58,50 kg

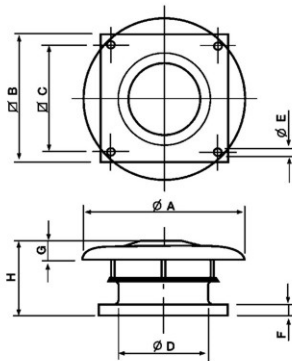
Motor Characteristics

Number of poles	4
Voltage	3-400V-50Hz
Maximum absorbed current	2,9 A
IP Rating	IP65
Motor insulation class	F

Working Point

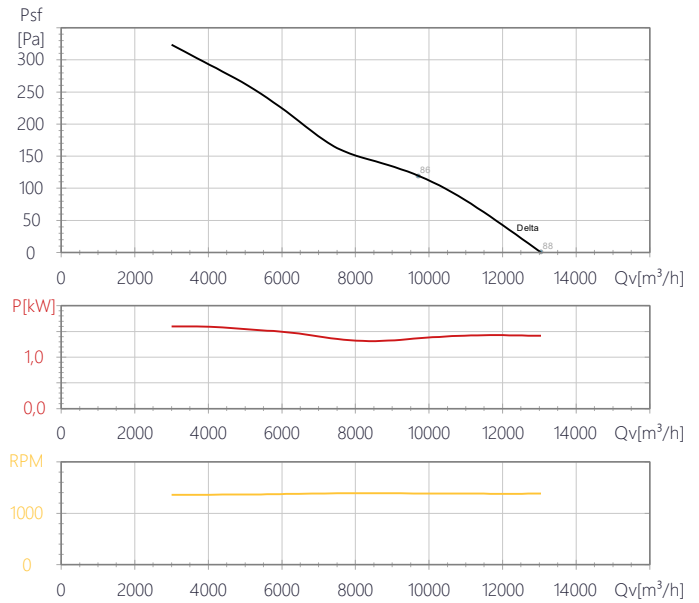
Fan speed	1290
-----------	------

Drawing



Ø A	B	C	Ø D	Ø E	F	G	H
1150	905	750	630	14	50	165	488

Performance Chart

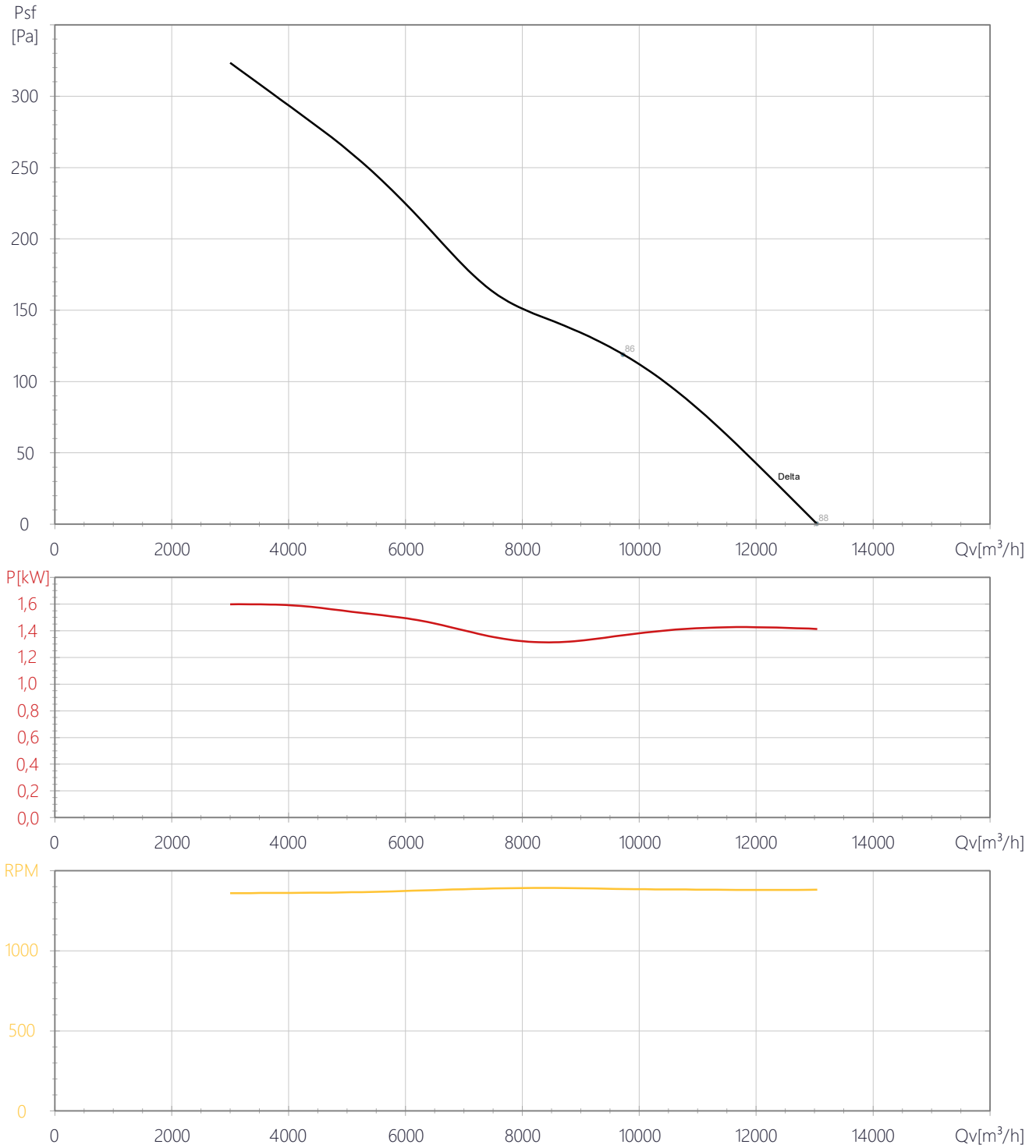




HCTB/HCTT

5113407000 - HCTT/4-630-B (400V50HZ) VE - ROOF MOUNTED FANS

Performance Chart





HCTB/HCTT

5113407000 - HCTT/4-630-B (400V50HZ) VE - ROOF MOUNTED FANS

Sound Performance

	63	125	250	500	1k	2k	4k	8k	Overall
Inlet (LwA)	63	70	72	80	83	84	81	73	88
Inlet LpA @ 1m	52	60	61	69	72	73	70	62	77
Outlet (LwA)	58	69	71	73	76	74	73	68	81
Outlet LpA @ 1m	48	58	60	62	65	63	62	57	70

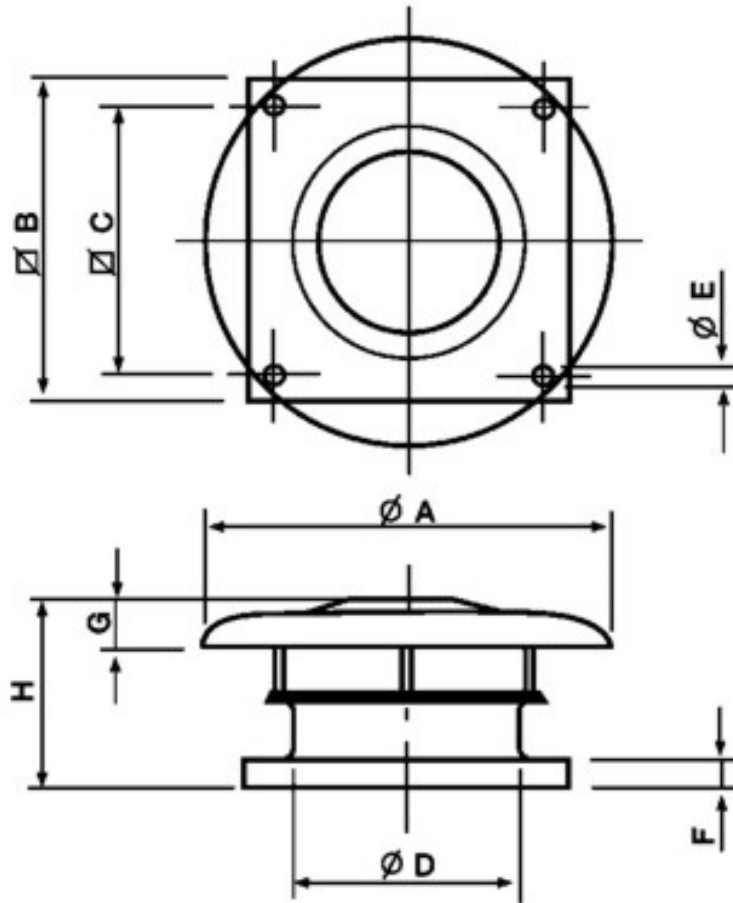




HCTB/HCTT

5113407000 - HCTT/4-630-B (400V50HZ) VE - ROOF MOUNTED FANS

Drawing



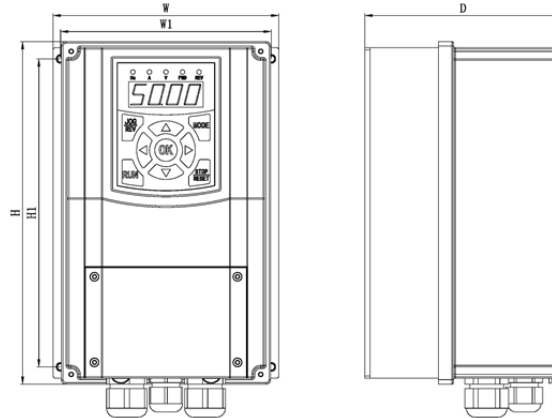
$\varnothing A$	B	C	$\varnothing D$	$\varnothing E$	F	G	H
1150	905	750	630	14	50	165	488

Accessories

L1000000662 - S&P VFD-M 10A IP54 (1-PH)



Single-phase 230V-50/60Hz Voltage supply. Motor kW protection programmable by a single parameter. Power on and drive status indication. Speed selection with UP/DOWN keys. Run/Fault relay output contacts. Motor overload and shortcut protections.



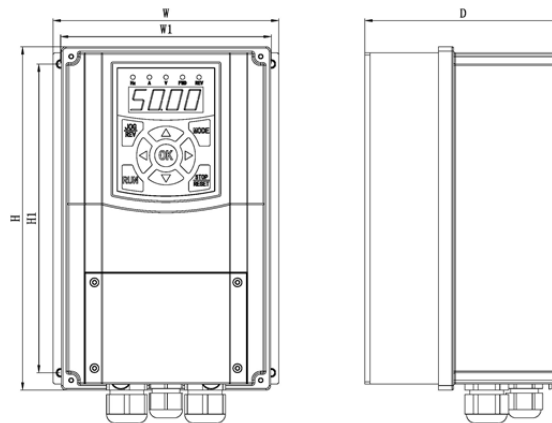
Dimensions

H	H1	W	W1	D	d
193	170	150	140	131	4.5

L1000000664 - S&P VFD-T 5A IP54 (3-PH)



Three-phase 400V-50/60Hz Voltage supply. Motor kW protection programmable by a single parameter. Power on and drive status indication. Speed selection with UP/DOWN keys. Run/Fault relay output contacts. Motor overload and shortcut protections.



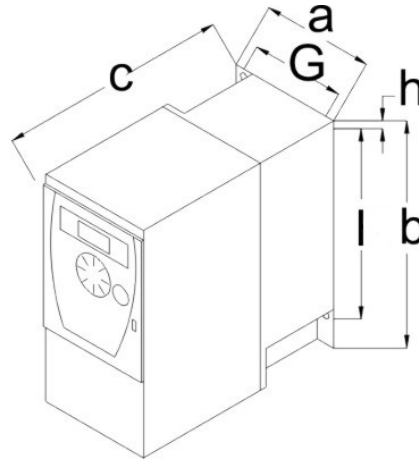
Dimensions

H	H1	W	W1	D	d
193	170	150	140	131	4.5

5401226300 - VFTM320 TRI 1,5



Adjustable frequency drive. Three phase supply 400V-50/60Hz, three phase 400V output.



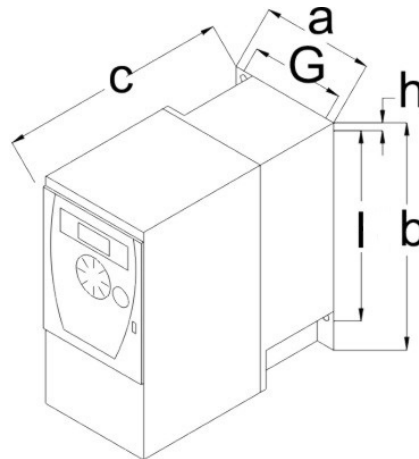
Dimensions

a	b	c	G	I	h
105	142	158	93	118	5

5401228200 - VFTM320 TRI 1,5 IP66



Adjustable frequency drive. Three phase supply 400V-50/60Hz, three phase 400V output.



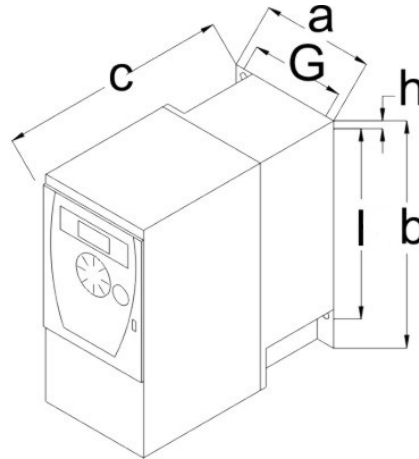
Dimensions

a	b	c	G	I	h
250	340	200	231	323	6.6

5401226400 - VFTM320 TRI 2,2



Adjustable frequency drive. Three phase supply 400V-50/60Hz, three phase 400V output.



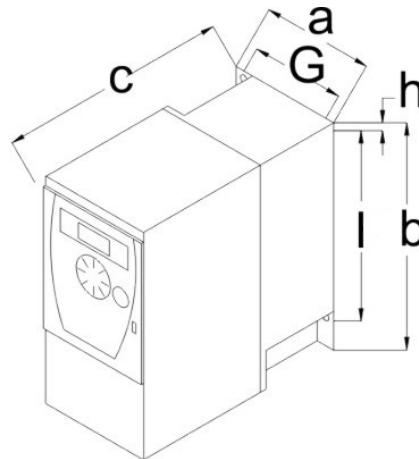
Dimensions

a	b	c	G	I	h
140	184	158	126	157	6.5

5401228300 - VFTM320 TRI 2,2 IP66



Adjustable frequency drive. Three phase supply 400V-50/60Hz, three phase 400V output.



Dimensions

a	b	c	G	I	h
250	340	235	231	323	6.6



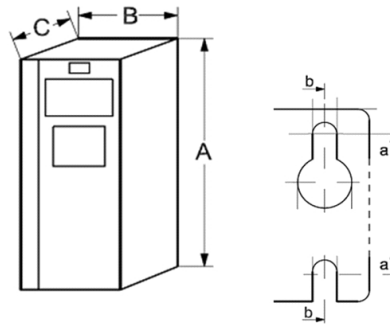
HCTB/HCTT

5113407000 - HCTT/4-630-B (400V50HZ) VE - ROOF MOUNTED FANS

L0111000001134 - VLTM102 1.5kW 3.7A IP66 (400V)



Frequency converters for three-phase motors from 1.1 to 15kW. IP66 protection rating.VLTM IP66 Models: 400V-50/60Hz three-phase supply voltage and 400V three-phase output.External screen for viewing parameters.Internal control buttons for manual speed regulation (frequency).Special plug & play configuration for constant pressure work modes or manual regulation with internal control buttons.Overload and short circuit protection. Integrated class 2 EMC filter.Modbus and CANopen communication protocols integrated as standard.BACnet MSTP and Modbus RTU as Standard.Additional Modules available:-Additional relays.-BACNET./ip-Thermistor module (PTC).-Real Time Clock battery.



W = Weight (kg)

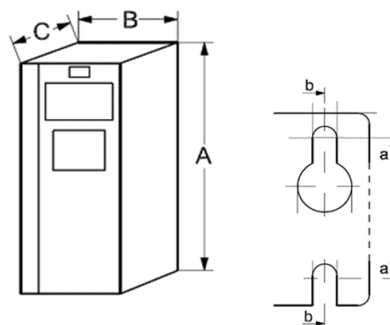
Dimensions

A	B	C	a	b	W
390	200	177	397	171	9.7

L0111000001135 - VLTM102 2.2kW 5A IP66 (400V)



Frequency converters for three-phase motors from 1.1 to 15kW. IP66 protection rating.VLTM IP66 Models: 400V-50/60Hz three-phase supply voltage and 400V three-phase output.External screen for viewing parameters.Internal control buttons for manual speed regulation (frequency).Special plug & play configuration for constant pressure work modes or manual regulation with internal control buttons.Overload and short circuit protection. Integrated class 2 EMC filter.Modbus and CANopen communication protocols integrated as standard.BACnet MSTP and Modbus RTU as Standard.Additional Modules available:-Additional relays.-BACNET./ip-Thermistor module (PTC).-Real Time Clock battery.



W = Weight (kg)

Dimensions

A	B	C	a	b	W
390	200	177	397	171	9.7

5136826400 - JPA-905

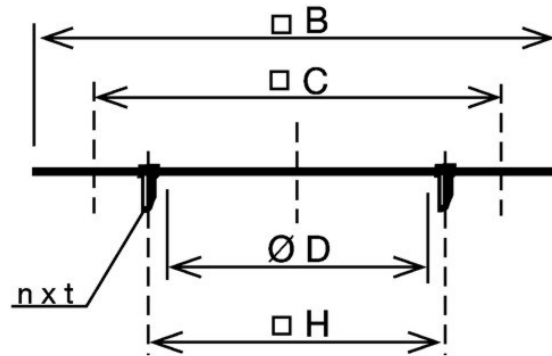
ADAPTER PLATE ACCESSORY TO BE USED WITH JCA, JBR & JAE ACCESSORIES



WEB

Accessory code

PRODUCTOACCESORIOCOMERICAL

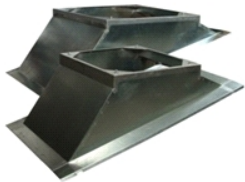


Dimensions

B	C	D	nxt	H
884	750	633	nxt (12xM10)	690

5416723400 - BI-9

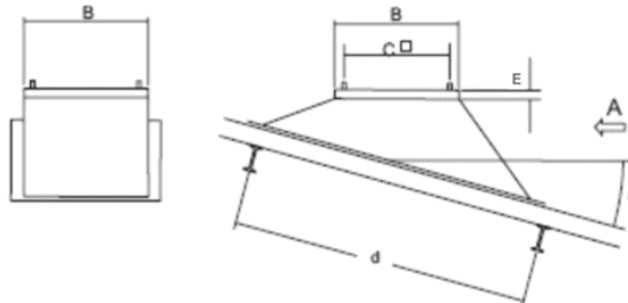
Support base for inclined curb mounted installations. To ensure a proper installation of the CRHB-CRHT roof fan it is essential to specify the roof pitch angle (a) and the distance (d) between the roof beam profiles.



WEB

Accessory code

PRODUCTOACCESORIOCOMERICAL



Dimensions

B	C	D
884	750	50



HCTB/HCTT

5113407000 - HCTT/4-630-B (400V50HZ) VE - ROOF MOUNTED FANS

5138908500 - JAE-905 N

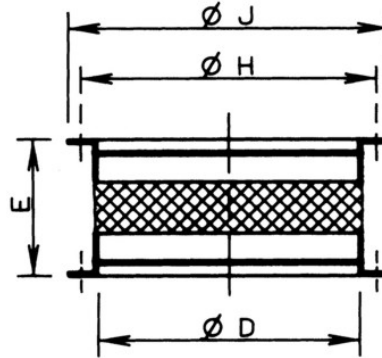
CIRCULAR FLEXIBLE COUPLING



WEB

Accessory code

PRODUCTOACCESORIOCOMERICAL

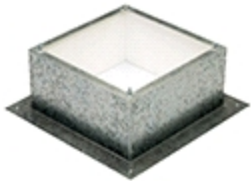


Dimensions

D	E	H	J
633	254	690	714

5136815700 - JBS-905

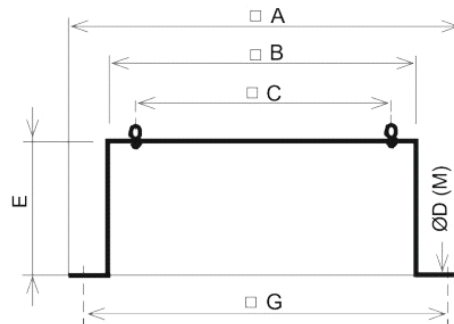
Flat roof up stand for mounting a roof fan on a flat roof without up stand.



WEB

Accessory code

PRODUCTOACCESORIOCOMERICAL



Dimensions

A	B	C	E	G
1065	884	750	300	975

5138907700 - JBR-905 N

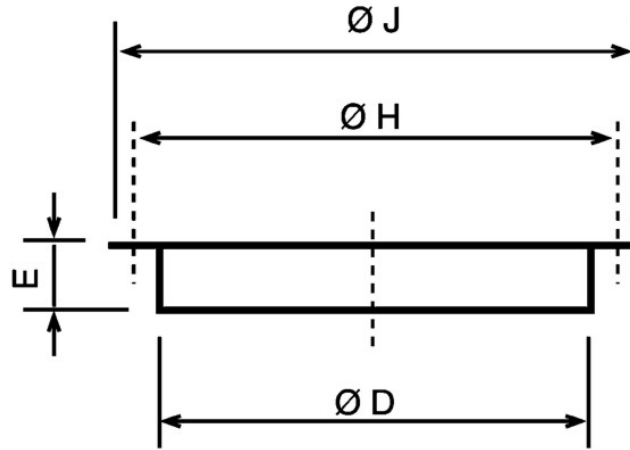


CIRCULAR DUCT FLANGE

WEB

Accessory code

PRODUCTOACCESORIOCOMERICAL



Dimensions

D	E	H	J
633	69	690	714

5136886800 - JCA-905 N

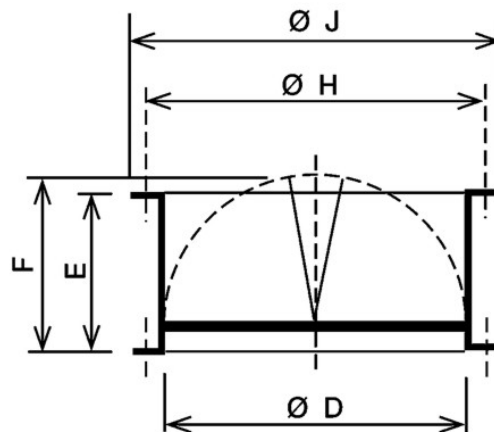


BACK DRAFT SHUTTER

WEB

Accessory code

PRODUCTOACCESORIOCOMERICAL



Dimensions

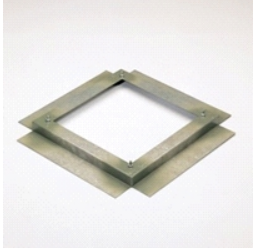
D	E	F	H	J
633	345	365	690	714



HCTB/HCTT

5113407000 - HCTT/4-630-B (400V50HZ) VE - ROOF MOUNTED FANS

5136805800 - JMS-905

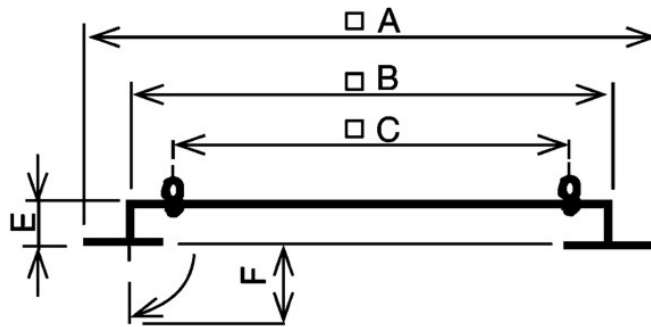


Sealing frame for mounting a roof fan on an up stand or base.

WEB

Accessory code

PRODUCTOACCESORIOCOMERICAL



Dimensions

A	B	C	E	F
1065	885	750	60	70